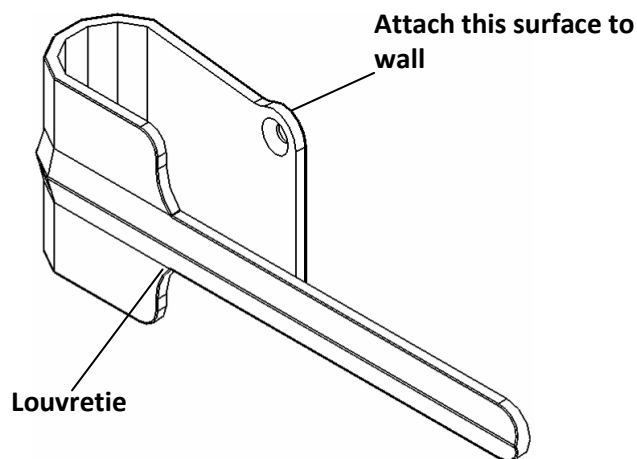


## User Instructions: LVT1 application 1

To attach the Vertical Blind Tie Backs inside a recess for vertical blinds that hang from a head rail within a window recess:



You can either use the self-adhesive pads or for a more permanent solution use the screws and raw plugs as below. You will need the following:

- A crosshead screwdriver
- A hammer
- Electric drill.

Hold the Tie Back against your required surface/area.

Using a pen or pencil mark surface/area using the two cut out holes.

Remove the Tie Back and using an electric drill, make two holes on the marked areas.

Using a hammer Insert two raw plugs so that they are flush against the surface/area.

Position the Tie Back against the surface matching up the two holes.

Using two screws and a screwdriver screw into place making sure that the Tie Back is securely held in position.

### Cleaning and Maintenance:

Can be wiped clean using a clean damp cloth.